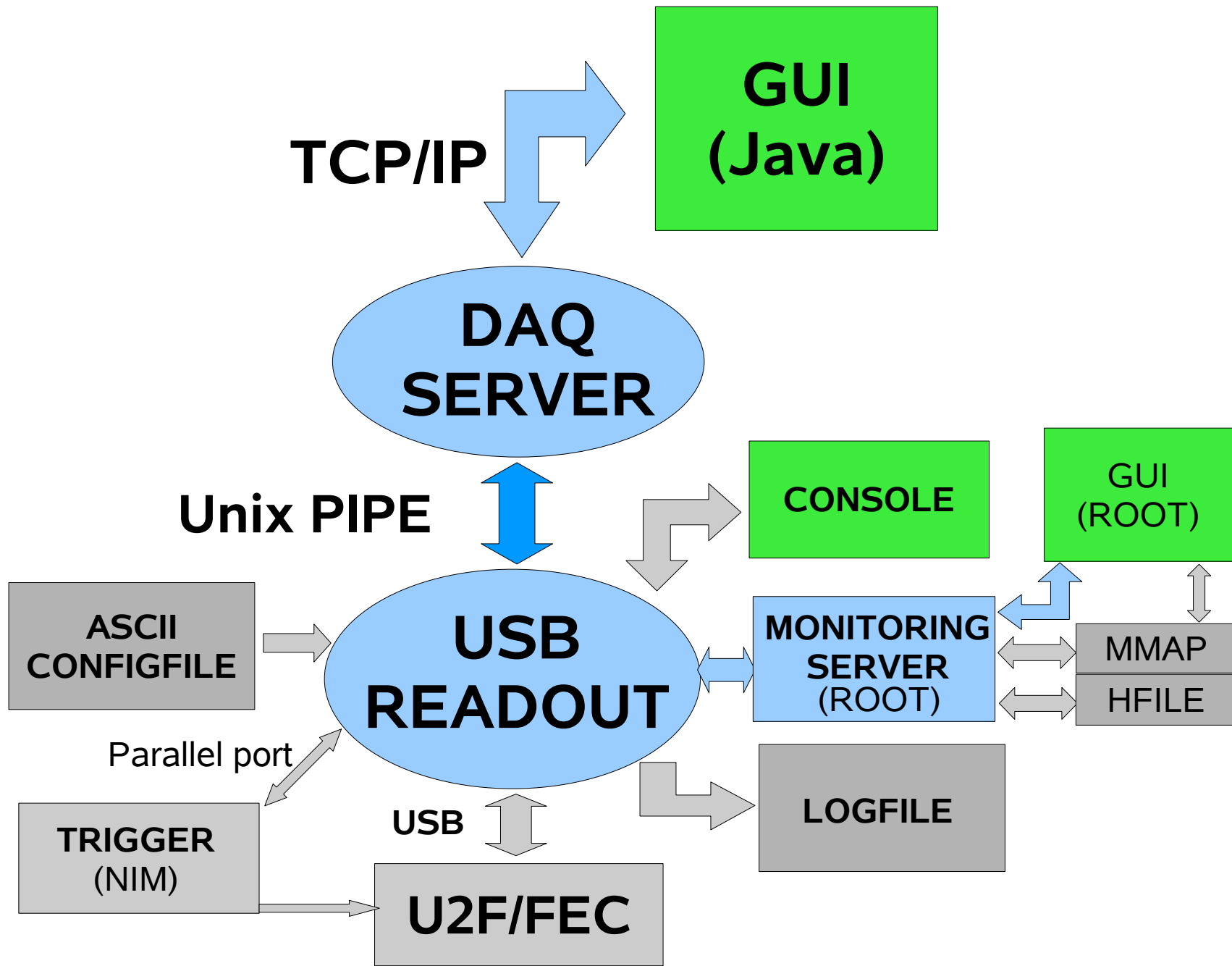


A simple Desktop DAQ for U2F readout

Status and new changed plans

Ulf jörnmark
Physics Dept.
Lund



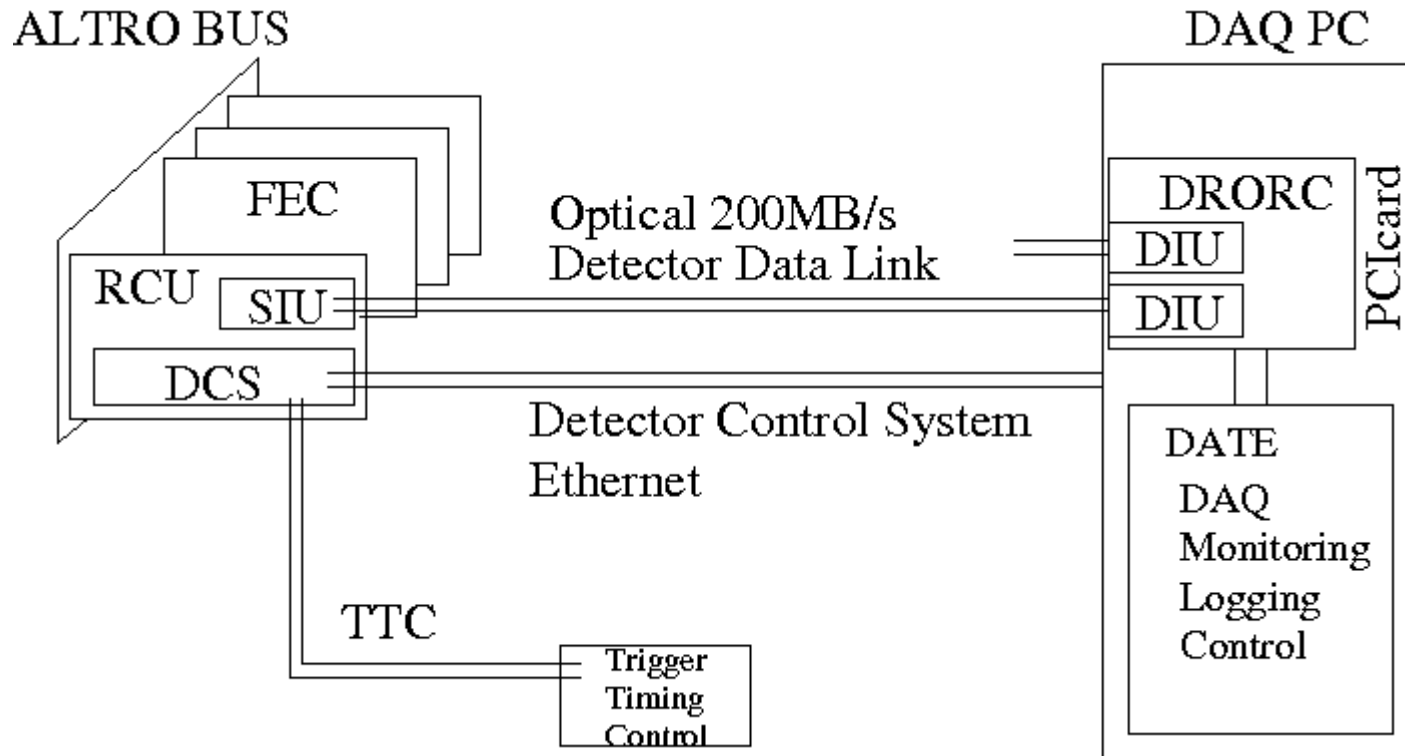
Status of U2F DAQ

A rudimentary standalone system working for 128 channels
Can be expanded to 2000 channels at most

Recent decision:
want 10000 channels

Need more powerful hardware and software:
proposal: The ALICE TPC DAQ
but is also more complicated!

The ALICE TPC DAQ



Next:

We will attend the ALICE DATE tutorial 29-30 March
Discussion with ALICE DAQ people about what/how/when

Alternative:

DAQ used for TIGRESS at TRIUMF